

SAFETY BULLETIN
January 17, 2018

Man Lift Mfg. Co., (“Man Lift”) issues this Safety Bulletin related to the following Explosion Proof boom lifts manufactured by Man Lift during the period from January 2011 - January 2018 due to two (2) A60EX and one (1) A80EX booms (fielded in 2013) being found to have failed or cracked welds in the mid-post area of the lower boom:

Affected Models:

A60EX/A60JEX (JLG 600A/600AJ)

A80EX/A80JEX (JLG 800A/800AJ)

The listed Model Numbers should be immediately inspected for the following potential defect:

Weld failure and cracking of the Tower Boom Fly weldment at the Tower boom extend cylinder and upright level cylinder attachment pin plate.

Action:

Man Lift recommends that each unit carrying one of the above Model Numbers be removed from active service until the inspection has been completed and corrective steps are taken, if necessary. Note: Failure to inspect the lifts can result in potential failure similar to the ones previously noted and may result in serious injury or loss of life. Please reference figure 1 to aid in identifying the inspection area.

Note: Any units failing a visual inspection should be reported to Man Lift MFG as soon as possible. Please provide:

- MLM Model and serial number
- JLG serial number
- Description of damage
- Photo of affected area
- Hour meter reading

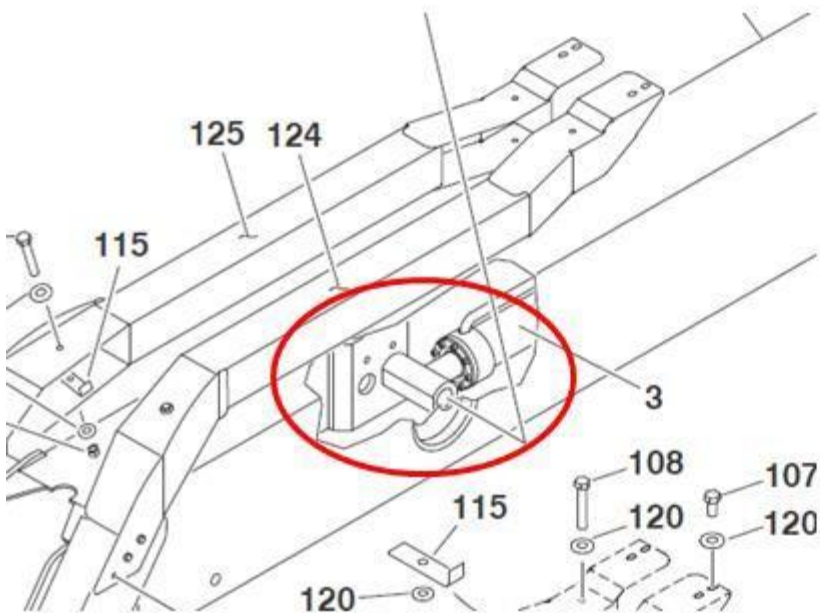
Please direct any questions or comments to:

Eric Tindall
Man Lift MFG Aftermarket Service and Support Mgr.
704-418-0901
etindall@manliftmfg.com
support@manliftmfg.com

The base unit used for conversion to an EX rating for each above Model Number was manufactured by JLG Industries, Inc.



2501 W. Dixon Blvd. | Shelby, NC 28150 | (704) 482-1399 Web: ManLiftMfg.com



A60EX is shown for reference only. Inspection area same for both A60EX & A80EX.

Figure 1.



2501 W. Dixon Blvd. | Shelby, NC 28150 | (704) 482-1399 Web: ManLiftMfg.com